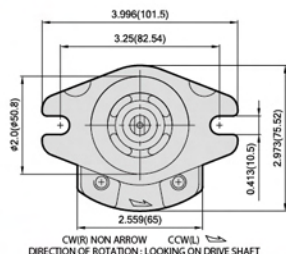
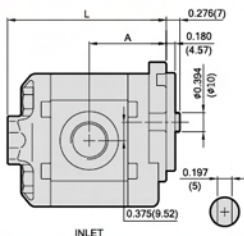


OVERALL DIMENSIONS



ORDERING EXAMPLE

For Example **1** **P** **M** **1** **U** **DISPL.** **ROTATION**

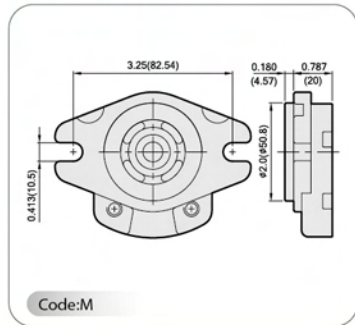
If you need pump with displ.0.19 c.i.r and rotation is cw, the model number is: **1PM1U03R**

PERFORMANCE DATA

MODEL	DISPLACEMENT		PRESSURE psi(MPa)		RPM RANGE	DIMENSIONS inch (mm)		WEIGHT	
	c.i.r	cm ³ /r	CONTINUOUS	MAX.		A	L	Kg	LBS
05	0.05	0.8	3000(21)	3600(25)	600	1.476(37.5)	3.050(77.5)	0.76	1.67
01	0.06	1.1	3000(21)	3600(25)		1.496(38.0)	3.090(78.5)	0.77	1.69
13	0.08	1.3	3000(21)	3600(25)		1.516(38.5)	3.129(79.5)	0.78	1.72
16	0.10	1.6	3000(21)	3600(25)	4000	1.535(39.0)	3.169(80.5)	0.79	1.74
02	0.13	2.1	3000(21)	3600(25)		1.575(40.0)	3.247(82.5)	0.82	1.80
26	0.16	2.6	3000(21)	3600(25)		1.614(41.0)	3.326(84.5)	0.84	1.85
03	0.19	3.2	3000(21)	3600(25)	600	1.654(42.0)	3.405(86.5)	0.87	1.91
37	0.22	3.7	3000(21)	3600(25)		1.693(43.0)	3.483(88.5)	0.89	1.96
04	0.25	4.2	2550(18)	3000(21)		1.732(44.0)	3.562(90.5)	0.91	2.00
05	0.29	4.8	2550(18)	3000(21)	(*)2500	1.772(45.0)	3.641(92.5)	0.95	2.09
06	0.35	5.8	1980(14)	2300(16)		1.850(47.0)	3.798(96.5)	1.00	2.20
07	0.48	7.9	1980(14)	2300(16)		2.008(51.0)	4.113(104.5)	1.08	2.38
09	0.54	8.8	1980(14)	2300(16)		2.087(53.0)	4.271(108.5)	1.13	2.50

*More then 2500 qualified per applications.

MOUNTING FLANGES



DRIVE SHAFTS

