

# LCP - LCC series

Visual oil level indicators



# LCP GENERAL INFORMATION

## Technical data

### Visual oil level indicators

LCP is a range of plastic compact fluid level indicators, usually called spy eyes, for monitoring of the fluid level into the tank. They are directly fitted on the tank side.

Housings made of polyamide or steel can be selected, to meet every condition.

### Available features:

- Male threaded connections up to G 2"
- Baffle, to allow an easy monitoring of the level
- Expansion kit, for reliable sealing even in tanks with thin walls

### Common applications:

- Hydraulic systems
- Mobile machines
- Industrial equipment

### T Series

Weight	
LCPG13	1 g
LCPG16	2 g
LCPG20	4 g
LCPG26	8 g
LCPG33	10 g
LCPG42	12 g

### Materials

- Body: Polyamide
- Contrast screen: Nylon
- Seals: NBR

### M Series

Weight	
LCPG20	6 g
LCPG26	9 g
LCPG33	13 g

### Materials

- Body: Aluminium
- Lens: Thermoplastic
- Contrast screen: Nylon
- Seals: Inorganic fibre

### N Series

Weight	
LCPG13	2 g
LCPG16	4 g
LCPG20	7 g
LCPG26	9 g
LCPG30	12 g
LCPG33	18 g
LCPG42	25 g
LCPG48	48 g
LCPG60	59 g

### Materials

- Body: Nylon
- Lens: Thermoplastic
- Contrast screen: Nylon
- Seals: Inorganic fibre, NBR
- Expansion kit: Brass, NBR

### Temperature

From -20 °C to + 80 °C

### Quantity

25 pcs/pack



## Designation & Ordering code

### LCP

#### Series and size

#### LCP

Configuration example 1 : LCP G26 N S B S P01

Configuration example 2 : LCP G42 T S A P01

Configuration example 3 : LCP G20 M C A P01

#### Connections to the tank

Material:	N	T	M
<b>G13</b> Thread G 1/4"	•	•	
<b>G16</b> Thread G 3/8"	•	•	
<b>G20</b> Thread G 1/2"	•	•	•
<b>G26</b> Thread G 3/4"	•	•	•
<b>G33</b> Thread G 1"	•	•	•
<b>G42</b> Thread G 1 1/4"	•	•	
<b>G48</b> Thread G 1 1/2"	•		
<b>G60</b> Thread G 2"	•		

#### Material

**N** Black nylon      **T** Transparent polyamide      **M** Metal (aluminium)

Material:	N								T				M			
Baffle	Connection:	G13	G16	G20	G26	G33	G42	G48	G60	G13	G16	G20	G26	G33	G42	M
<b>S</b> Without		•	•	•	•	•	•	•	•	•	•	•	•	•	•	
<b>C</b> With baffle		•	•	•	•	•	•	•	•			•	•	•	•	

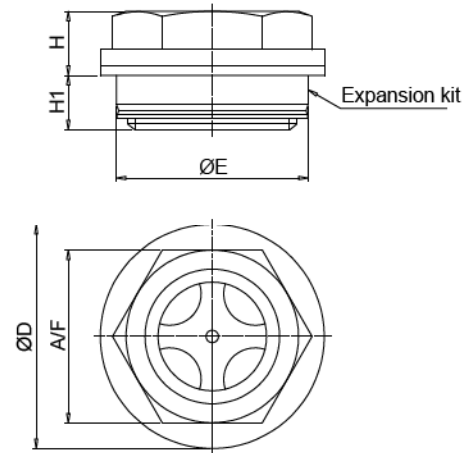
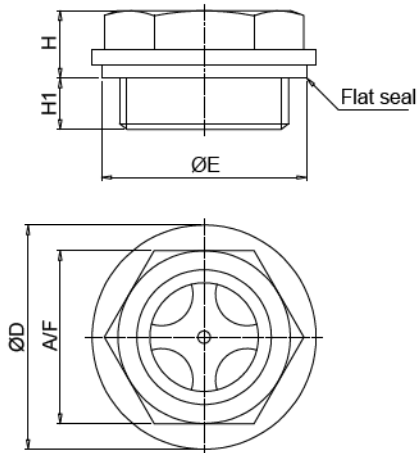
Material:	N			T	M
Seals	Expansion kit:	S	K		
<b>A</b> NBR			•	•	•
<b>B</b> Inorganic fiber		•			

Material:	N							T	M		
Expansion kit	Connection:	G13	G16	G20	G26	G33	G42	G48	G60		
<b>S</b> Without		•	•	•	•	•	•	•	•		
<b>K</b> With expansion kit		•	•	•	•	•					

#### Execution

**P01** MP Filtri standard  
**Pxx** Customized

### LCP - N



#### without expansion kit

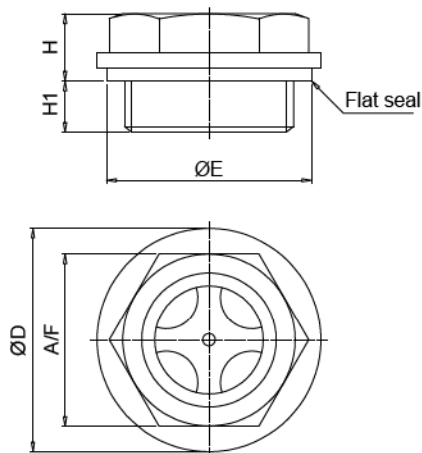
Connection	ØD [mm]	ØE [mm]	A/F [mm]	H [mm]	H1 [mm]
<b>G13</b>	20	18.5	17	9	7
<b>G16</b>	22	21.5	18	10	7
<b>G20</b>	28	26	22	10	7
<b>G26</b>	35	32	27	10.5	8
<b>G33</b>	42	41	34	13.5	10.5
<b>G42</b>	52	51	42	14	11
<b>G48</b>	58	53.5	47	16	11
<b>G60</b>	74	72	64	16	18

#### with expansion kit

Connection	ØD [mm]	ØE [mm]	A/F [mm]	H [mm]	H1 [mm]
<b>G20</b>	28	26	22	9	8
<b>G26</b>	35	30	27	10	8.5
<b>G33</b>	42	40	34	13	11
<b>G42</b>	52	50	42	13.5	11.5
<b>G48</b>	58	55	47	15.5	11.5

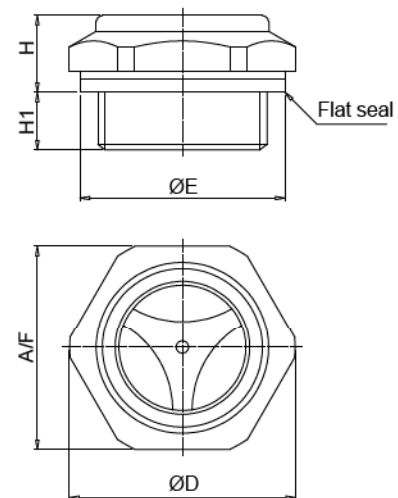
**Note:** for installation onto OB Cleaning covers see page 147

### LCP - T



Connection	ØD [mm]	ØE [mm]	A/F [mm]	H [mm]	H1 [mm]
<b>G13</b>	20	18.5	15	6.5	5
<b>G16</b>	22	21.5	17	7	5.5
<b>G20</b>	28	26	21	8	6
<b>G26</b>	33	32	26	8.5	7
<b>G33</b>	41	41	32	9	8
<b>G42</b>	52	51	42	14	11

### LCP - M



Connection	ØD [mm]	ØE [mm]	A/F [mm]	H [mm]	H1 [mm]
<b>G20</b>	29.5	26	27	11	7
<b>G26</b>	35.5	32	32	12	9
<b>G33</b>	44.5	41	40	13	8

**Note:** for installation onto OB Cleaning covers see page 147

# LCC GENERAL INFORMATION

## Technical data

### Visual oil level indicators

LCC is a range of plastic compact fluid level indicators, usually called spy eyes, for monitoring of the fluid level into the tank. They are directly fitted on the tank side.

The special shape of the screen allows the monitoring of the fluid level from every position.

#### Available features:

- Male threaded connections up to G 2"
- Expansion kit, for reliable sealing even in tanks with thin walls

#### Common applications:

- Hydraulic systems
- Mobile machines
- Industrial equipment

### N Series

#### Weight

LCCG26	7 g
LCCG42	20 g
LCCG60	40 g

### Materials

- Body: Nylon
- Lens: Polyamide
- Contrast screen: Nylon
- Seals: Inorganic fibre, NBR
- Expansion kit: Brass / NBR

### T Series

#### Weight

LCCG16	2 g
LCCG20	4 g
LCCG33	9 g

### Materials

- Body: Polyamide
- Seals: NBR

### Temperature

From -20 °C to + 80 °C

### Quantity

25 pcs/pack



## Designation & Ordering code

### LCC

#### Series and size

**LCC**

Configuration example 1 :	LCC	G20	N	A	K	P01
Configuration example 2 :	LCC	G33	T	A		P01

#### Connections to the tank

	Material:	N	T
<b>G13</b> Thread G 1/4"			
<b>G16</b> Thread G 3/8"			•
<b>G20</b> Thread G 1/2"		•	•
<b>G26</b> Thread G 3/4"		•	•
<b>G33</b> Thread G 1"		•	•
<b>G42</b> Thread G 1 1/4"		•	
<b>G48</b> Thread G 1 1/2"		•	
<b>G60</b> Thread G 2"		•	

#### Material

**N** Black nylon      **T** Transparent polyamide

#### Seals

	Material:	N		T
	Expansion kit:	S	K	
<b>A</b> NBR			•	•
<b>B</b> Inorganic fiber		•		

#### Expansion kit

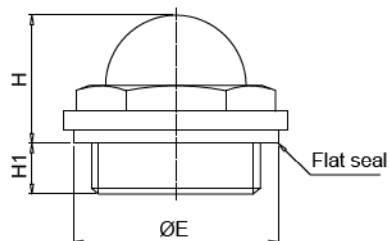
	Material:	N					T
	Connection:	G20	G26	G33	G42	G48	G60
<b>S</b> Without		•	•	•	•	•	•
<b>K</b> With expansion kit		•	•	•	•	•	•

#### Execution

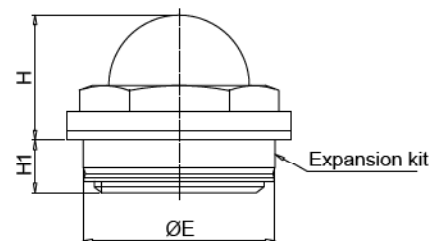
<b>P01</b>	MP Filtri standard
<b>Pxx</b>	Customized

### LCC - N

without expansion kit



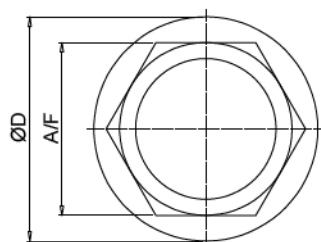
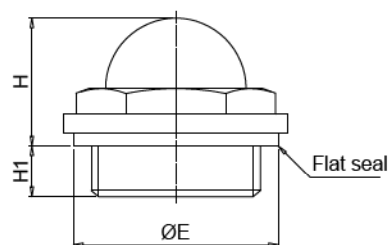
with expansion kit



Connection	ØD [mm]	ØE [mm]	A/F [mm]	H [mm]	H1 [mm]
<b>G20</b>	28	26	22	17.5	17.5
<b>G26</b>	35	32	27	20	8
<b>G33</b>	42	41	34	24	10
<b>G42</b>	52	51	44	30	11
<b>G48</b>	58	53.5	50	33	11.5
<b>G60</b>	74	72	64	39	18

Connection	ØD [mm]	ØE [mm]	A/F [mm]	H [mm]	H1 [mm]
<b>G20</b>	28	26	22	16.5	8.5
<b>G26</b>	35	30	27	19.5	8.5
<b>G33</b>	42	40	34	23.5	10.5
<b>G42</b>	52	50	44	29.5	11.5
<b>G48</b>	58	55	50	32.5	12

### LCC - T



Connection	ØD [mm]	ØE [mm]	A/F [mm]	H [mm]	H1 [mm]
<b>G13</b>	19	18.5	15	12.5	5
<b>G16</b>	21.5	21.5	17	14	5.5
<b>G20</b>	27	26	21	16.5	6
<b>G26</b>	33	32	26	19	7
<b>G33</b>	40	41	32	22.5	8