

SME 1 - SMF 1 - SML 1 series

Risers for breathers and filler caps installation



Technical data

Air breathers & Filler plugs

Risers for breathers and filler caps installation

SME/SMF/SML are ranges of risers for installation of the breathers and filler caps in any place on the tank. They make the maintenance operation easy and fast.

Available features:

- SME: vertical riser made of polyamide for nylon tanks, mainly used in the mobile machines
- SMF: sloping riser made of polyamide for nylon tanks, mainly used in the mobile machines
- SML: sloping riser made of aluminium for metal tanks, mainly used in the industrial equipment and heavy-duty applications

Materials SME

- Body: Nylon
- Seals: NBR
Cork gasket
- Screws: Phosphatized steel
Galvanized steel

Materials SMF

- Body: Nylon
- Seals: NBR
Cork gasket
- Screws: Phosphatized steel
Galvanized steel

Materials SML

- Body: Aluminium
- Seals: NBR
Cork gasket
- Screws: Phosphatized steel

Temperature

From -25 °C to +100 °C

Weight

SME - 0.250 kg
SMF - 0.325 kg
SML - 0.380 kg



Designation & Ordering code

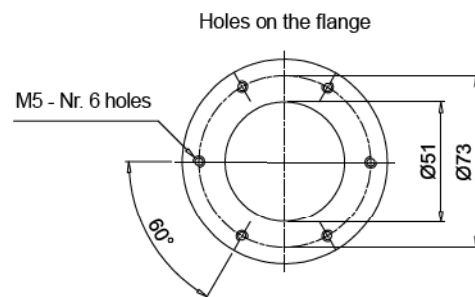
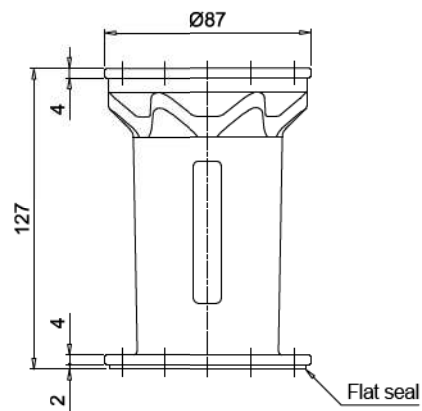
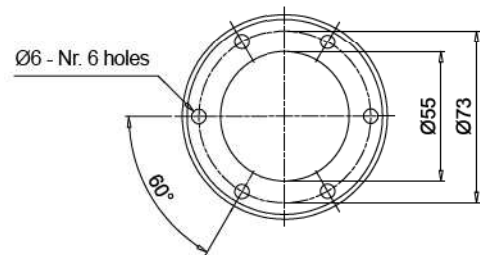
SME / SMF / SML

Series and size		Configuration example : SMF1 M A P01			
SME1	Polyamide vertical riser				
SMF1	Polyamide sloping riser				
SML1	Aluminium sloping riser				
Connections to the tank					
M	Metric screws				
U	UNC screws				
Seals					
A	NBR				
Execution		Series			
		SME1	SMF1	SML1	
P01	MP Filtri standard		•	•	
P02	Standard without logo	•			
Pxx	Customized	•	•	•	

SME 1-SMF 1-SML 1

Dimensions

SME1



Holes on the flange

SME 1-SMF 1-SML 1

Dimensions

