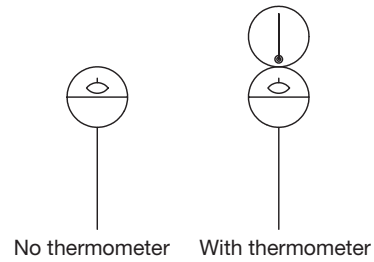


Fluid-level indicators with thermometer OLGT



Functional Symbol



Model Code

OLGT2-100

1 2 3

1 Oil level indicator

OLG: No thermometer
OLGT: With thermometer

2 Indicator marks

1: 1 (H position only)
2: 2 (H and L positions)

3 Mounting bolt center distance

100: 100 mm
200: 200 mm

Specifications

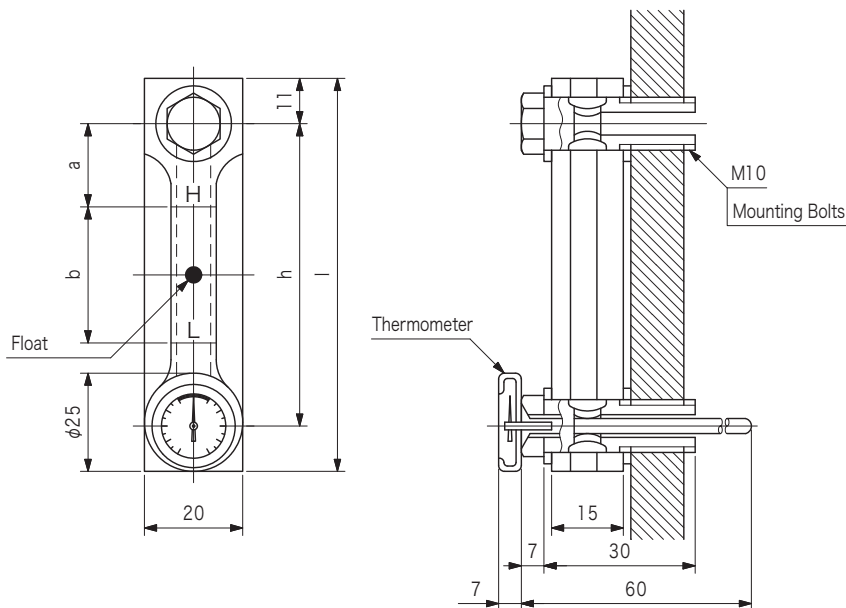
Material: Acrylic resin

Endurance temperature: 85°C

Temperature scale: 0°C ~ +100°C

Mounting bolt tightening torque: 17 ~ 19N·m

Dimensions



Dimensions table

Model Code	l	h	a	b
OLG(T) 1-100	122	100	20	—
OLG(T) 1-200	222	200	30	—
OLG(T) 2-100	122	100	20	40
OLG(T) 2-200	222	200	30	60

TOKYO KEIKI INC.