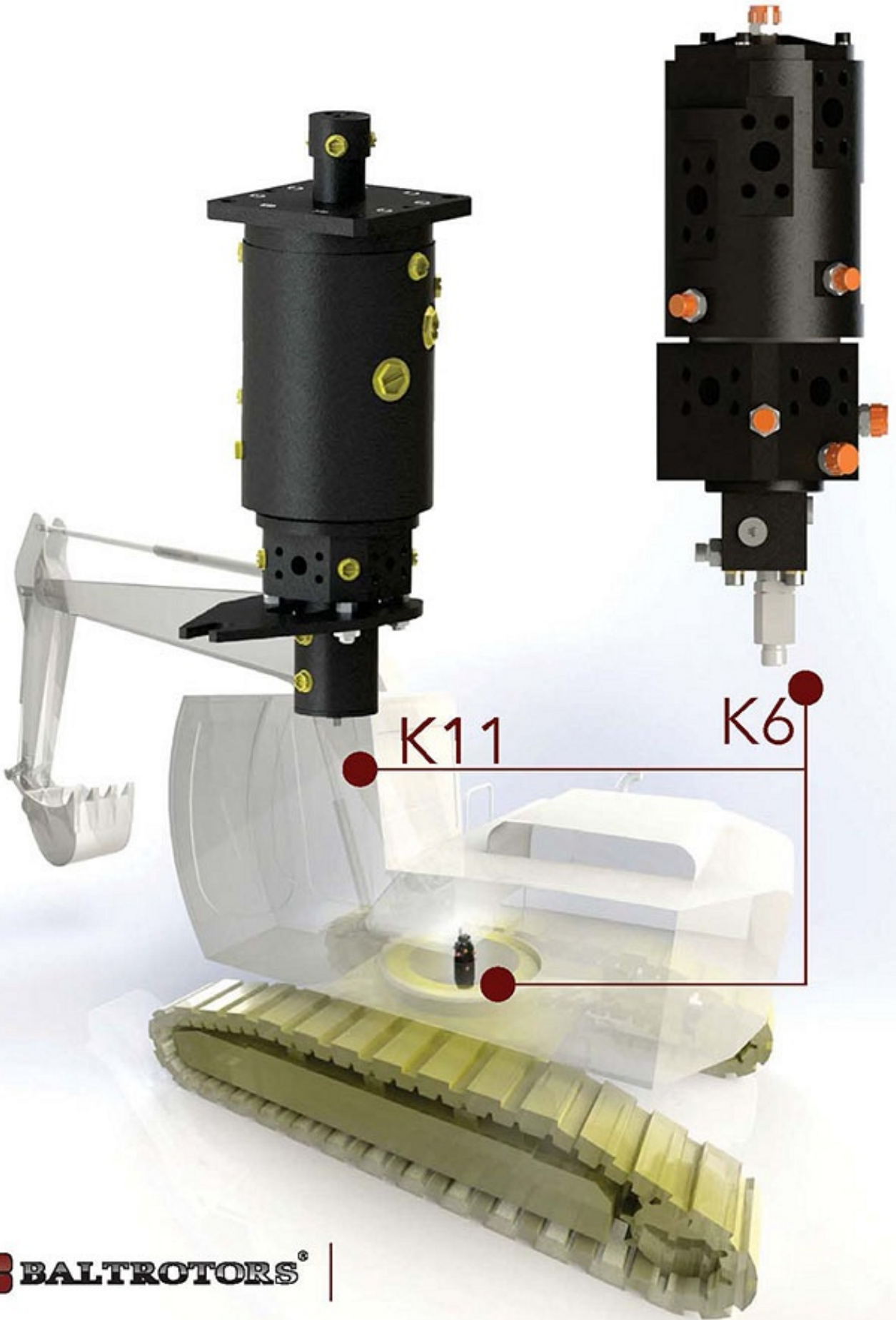
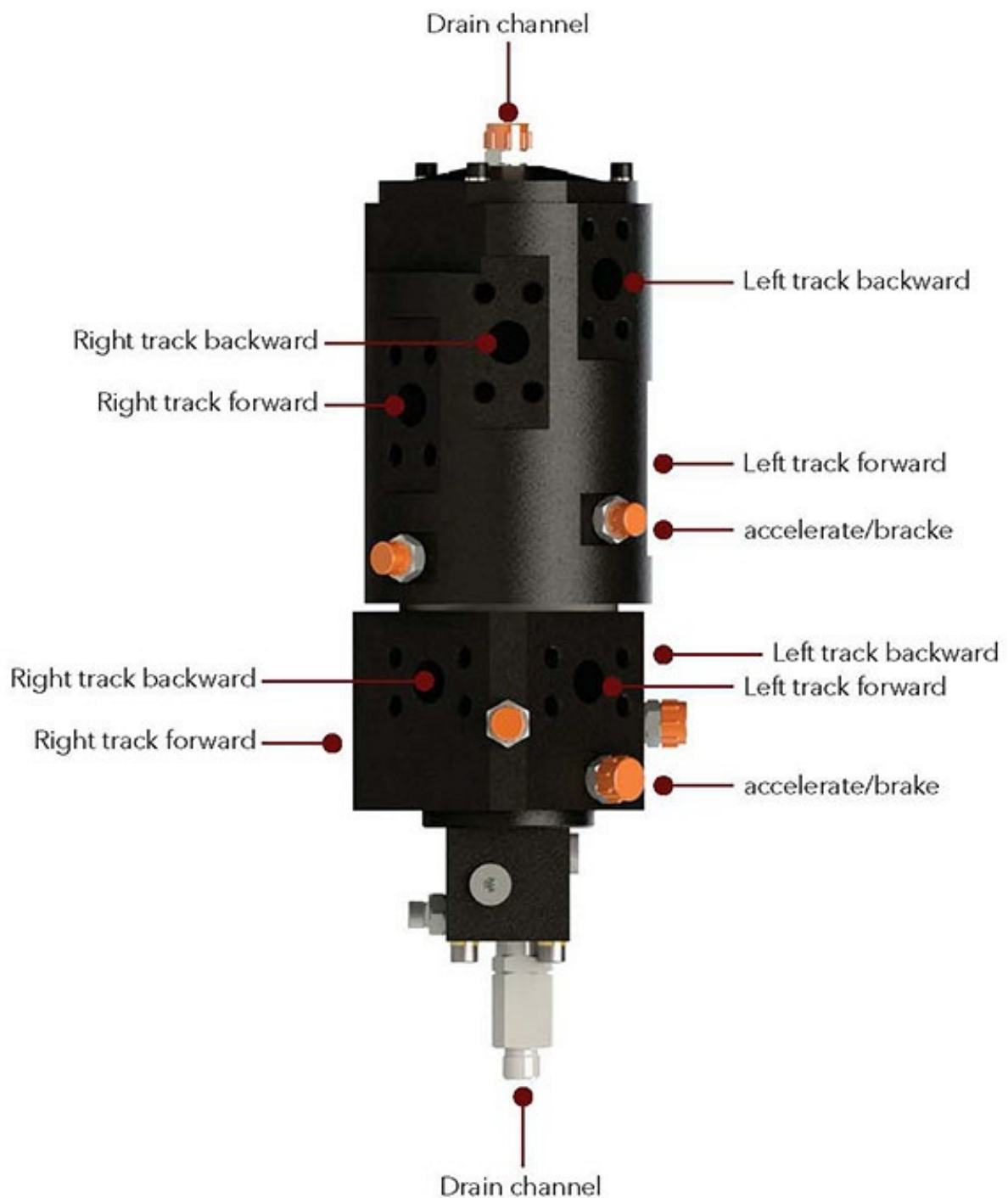




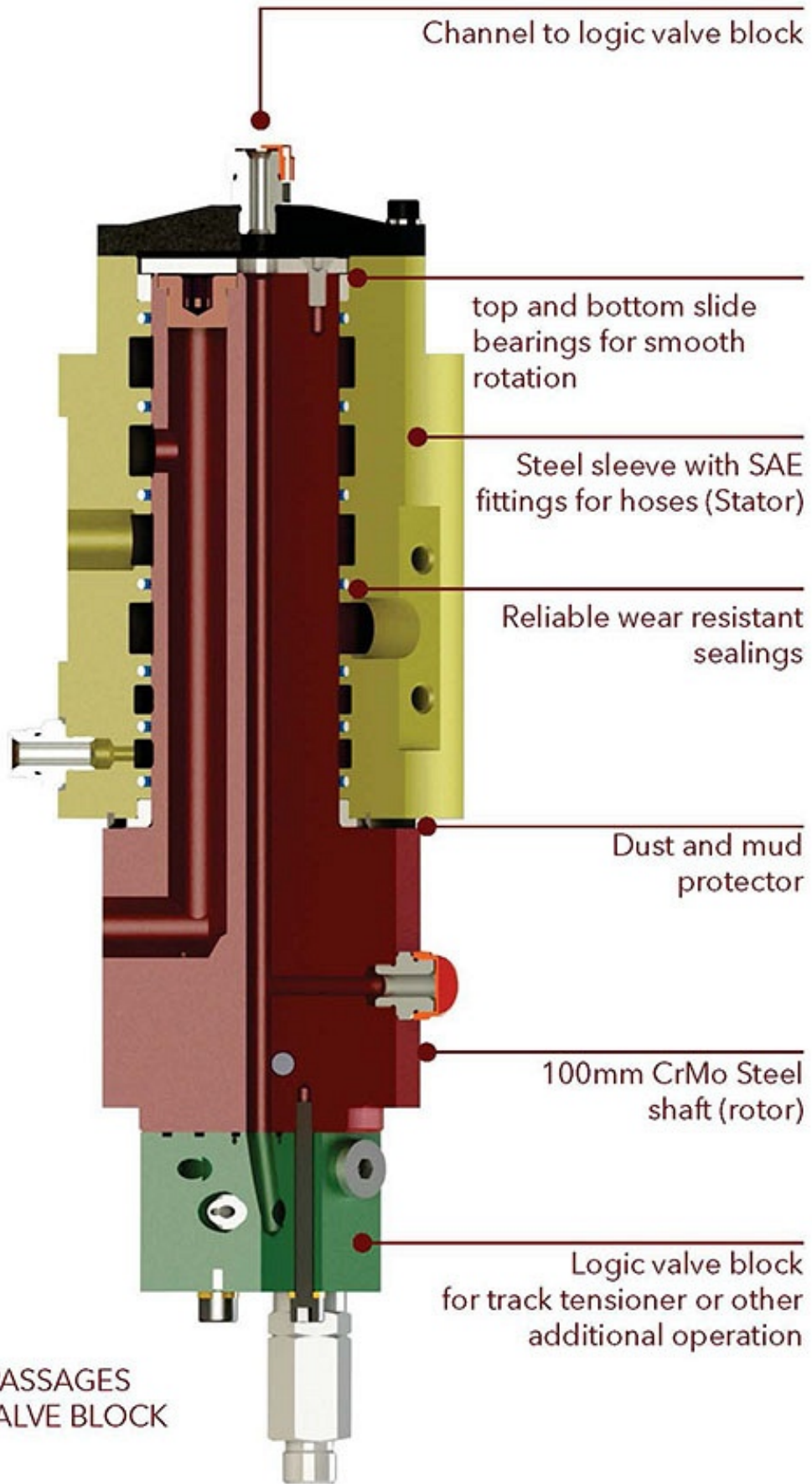
ROTARY MANIFOLD FOR TRACKED AND WHEELED EXCAVATORS
6 AND 11 HYDRAULIC PASSAGES



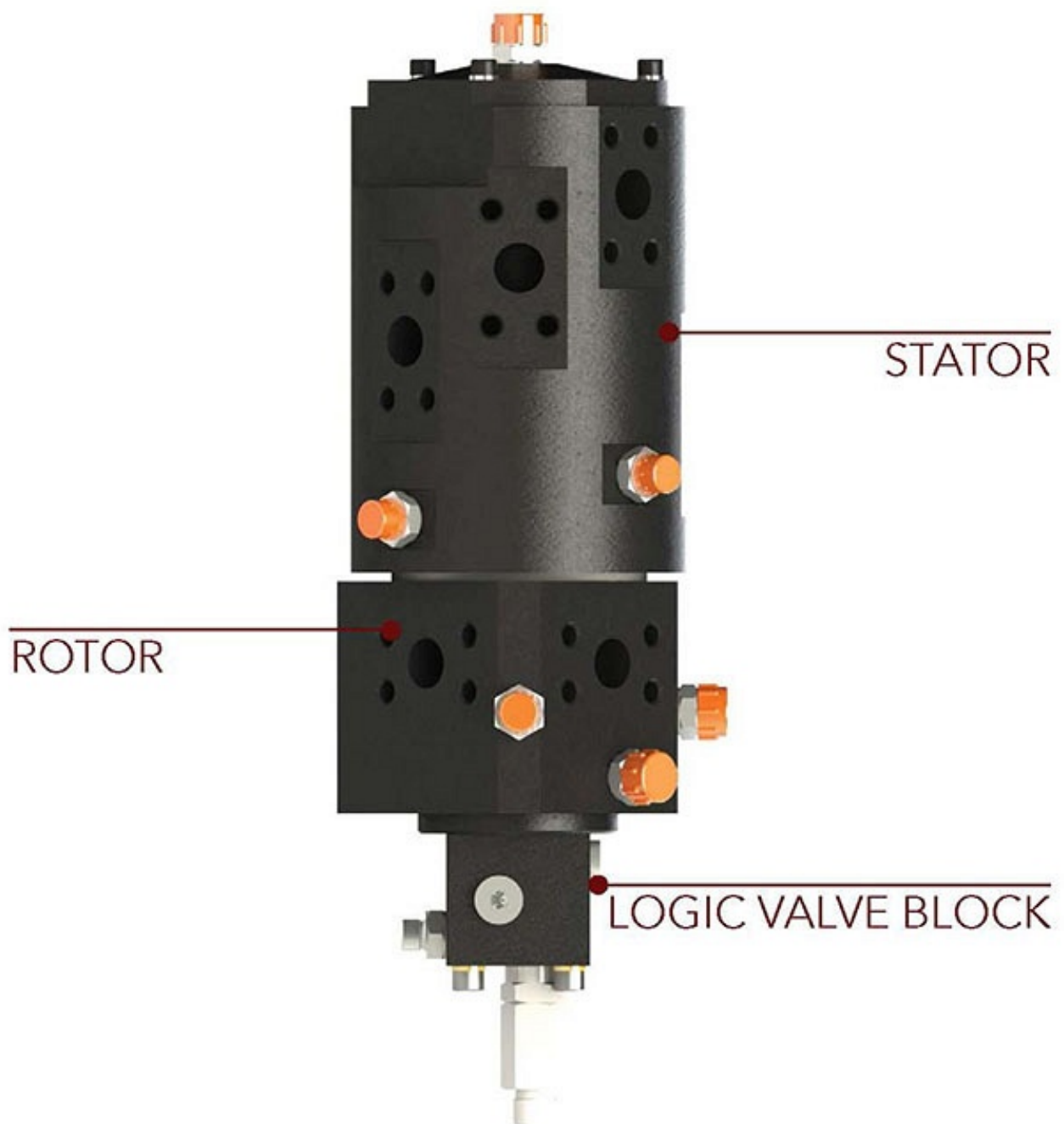


Baltrotors Team has long term experience to develop any custom solutions in collaboration with our customers according to specific needs, working conditions or applications.

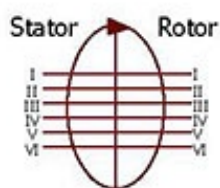
Currently K6 series hydraulic manifolds are used on **RM TEREX** excavators (e.g. ET26)



6 HYDRAULIC PASSAGES
ADDITIONAL VALVE BLOCK



ROTARY MANIFOLD FOR TRACKED AND WHEELED EXCAVATORS



- 6 hydraulic passages
- Max pressure 35MPa (350bar)
- Working pressure 32MPa (320bar)
- Working conditions -30°C / +60°C
- Rotating speed up to 10rpm
- Shaft 100mm
- Additional logic valve block