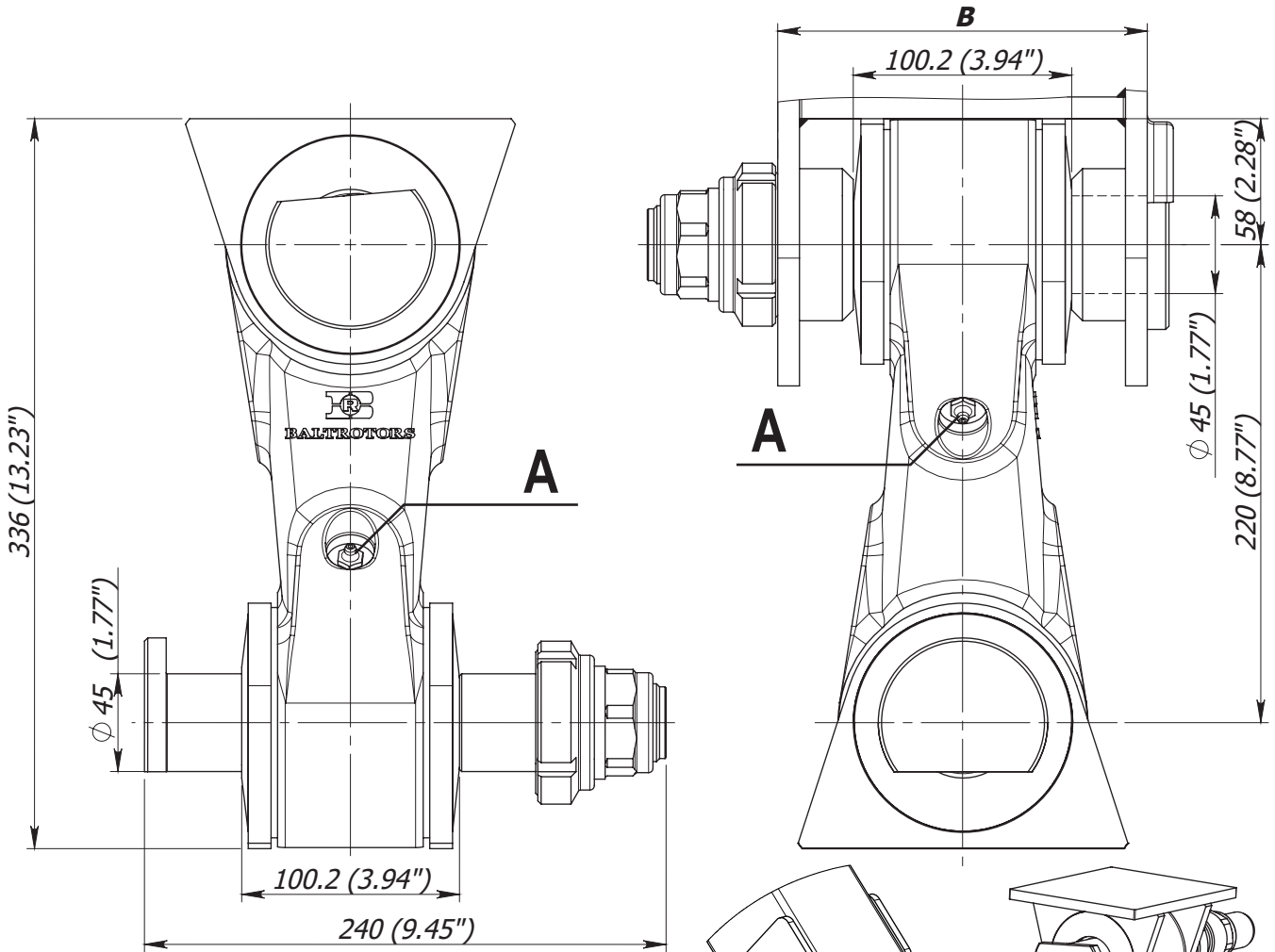


Dual swing damper BR32KS



The required size plate (4) should be welded between the ears of the crane (6) with a 0.2mm gap between the plate and the pusher cone (5).

Link	Crane nose outer width B (mm)	Weight (kg)
BR 32 KS/200	200 (7.87'')	25.78 (56.84 lb)
BR 32 KS/190	190 (7.48'')	25.65 (56.55 lb)
BR 32 KS/180	180 (7.09'')	25.53 (56.28 lb)
BR 32 KS/170	170 (6.69'')	25.40 (55.98 lb)
BR 32 KS/160	160 (6.29'')	25.28 (55.73 lb)
BR 32 KS/150	150 (5.90'')	25.15 (55.45 lb)

It is possible to change size B by client's request.

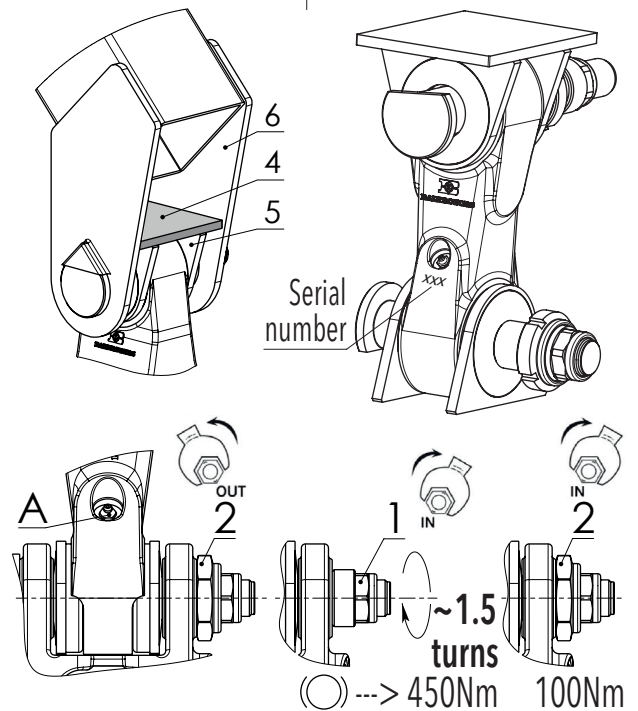
To adjust the brake of the link, following actions have to be done:

- unscrew / release the Lock nut (pos.2)
- screw the Adjusting nut (pos.1) until the Disc spring starts to clamp
- tighten the Adjusting nut (pos.1) **~1.5 turns**, that will provide braking moment of **450 Nm** (185 lb ft)
- tighten the Lock nut (pos.2) with tightening torque 100 Nm (74 lb ft).

Max. Load - 16 ton (160 kN) (35976 lbf)

Greasing of slide bearing and brake cones is done through lubricating nipple (A). Fill grease Statoil Uniway Li62 (or equivalent) until it will appear to the external surfaces. Greasing must be repeated after every 8 working hours of the link.

NOTICE! The link is delivered ungreased. It should be well greased before taking into exploitation!



13.07.2017