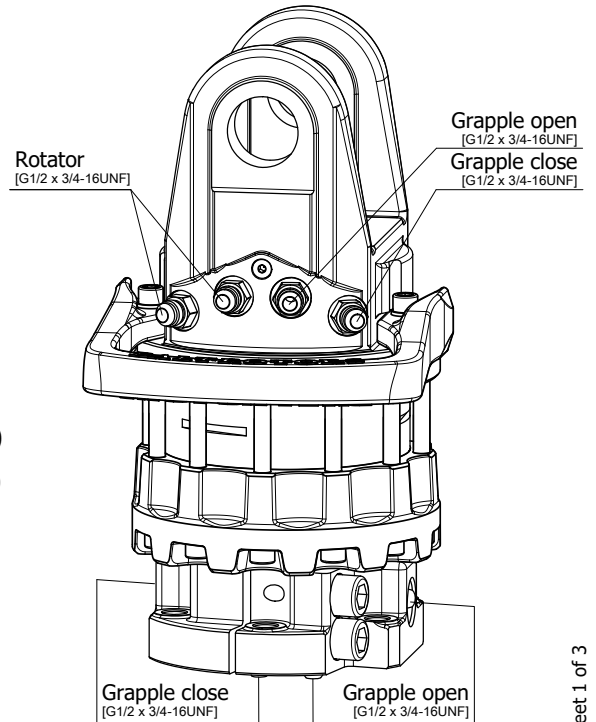
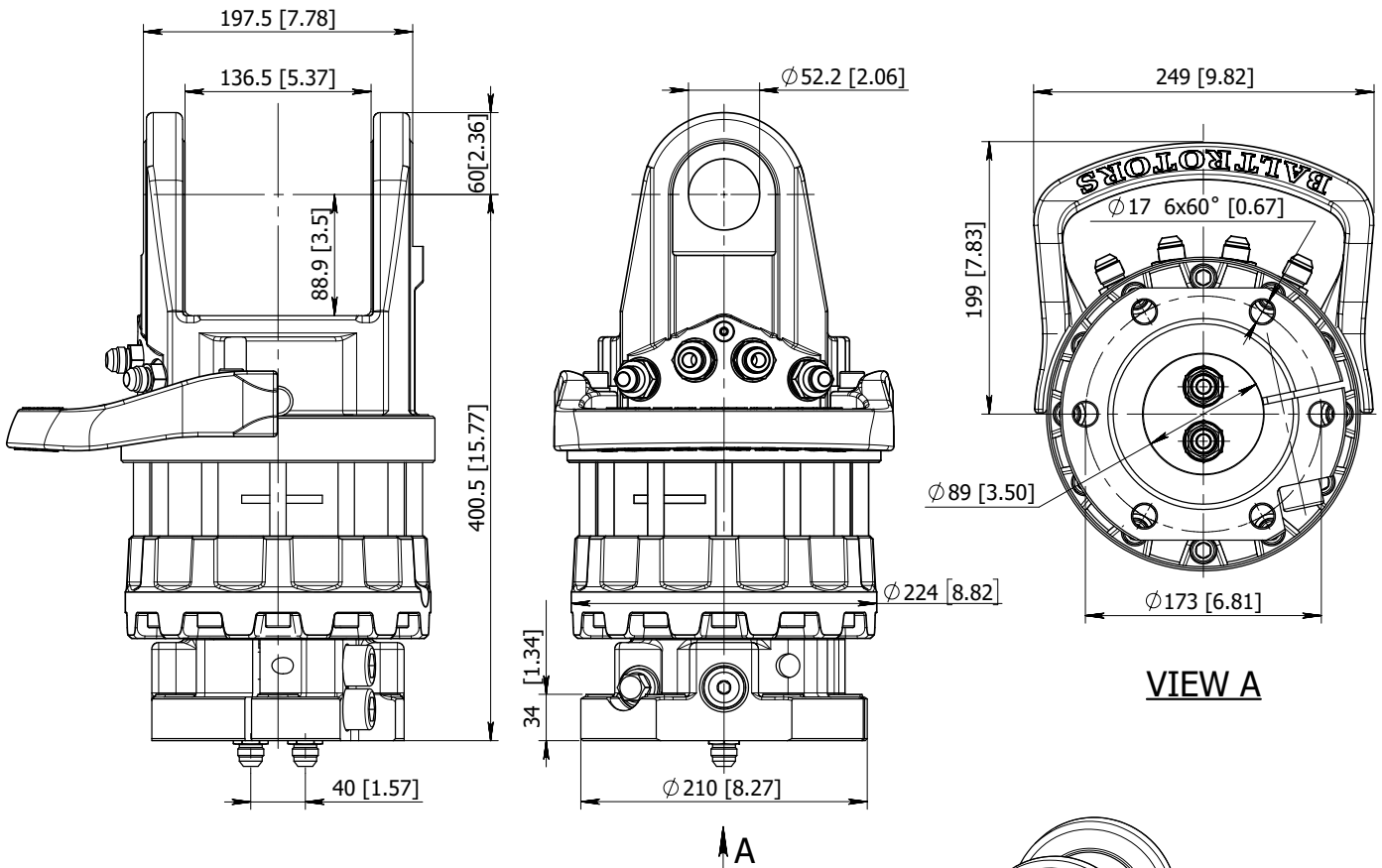


ROTATOR GR12US



Technical data

Rotation	Unlimited
Max axial load static, KN (lbf)	+120 (26982) - 100 (22485)
Max axial load dynamic, KN (lbf)	+60 (13491) - 50 (11242)
Torque at 25Mpa (3625psi), Nm (lb ft)	2900 (2139)
Rec oilflow, l/min (US gallon)	35 (9.25)
Weight, kg (lb)	77 (170)

Max working pressure:

Rotator	←R→	Max 25 MPa (3625 psi)	G 1/2 x 3/4-16UNF [nipple]
Grapple / Tool open	←G→	Max 30 MPa (4350 psi)	G 1/2 x 3/4-16UNF [nipple]
Grapple / Tool close	→G←	Max 30 MPa (4350 psi)	G 1/2 x 3/4-16UNF [nipple]

Connection:

Sheet 1 of 3

08.04.2020