

CAM OPERATED DIRECTIONAL VALVES

凸輪行程換向閥

DCG SERIES

◆ MODEL 型 式

DCG-2B2-02G-10



DCG-2B2-02G-20



◆ SPECIFICATIONS 規 格

Model Number 型 式 號 碼	Maximum Pressure 最大壓力 bar	Connecting PT 通 用 管 徑	Maximum Flow 最大流量 lpm	Weight 重 量 Kg
DCG-2B2-02G-20	315 (4500 psi)	1/4"	30 (7.93 gpm)	1.4 (3.0 lbs)
DCG-2B2-02T-20			70 (18.49 gpm)	1.3 (1.3 lbs)
DCG-2B2-02G-10		3/8"	120 (31.70 gpm)	3.1 (6.8 lbs)
Fluid Type 液體型式		ISO VG 32, 46, 68		
Viscosity 黏性 cSt		10~400 (59~1854 SSU)		
Operating Temperature 操作溫度 °C		-15~70 (-5~158 °F)		
Contamination Level 污染標準		ISO4406, 21/19/16 NAS1638,10		
Surface Treatment 表面處理		Zinc Phosphate Compound 磷 酸 鹽 化 合 物		

◆ All screws with metric measure, if require inch measure, please contact us.

所附螺絲皆為公制標準規格者，若需英制螺絲請另外備註說明。

◆ HOW TO ORDER 編 號 說 明

1	2	3	4	5	6	7
DCG	— 02	G	— 2B2	— Y	— 10	— **

1 VALVE SERIES 系列名稱

DCG= Cam Operated Directional Valves
凸輪行程換向閥

5 ROLLER POSITION 輪轉方向

See page 317 ~ 318
見 317 ~ 318 頁面

2 SUBPLATE MOUNTING SIZE: 編印口徑

02=1/4"(6mm) 03=3/8"(9mm)
ISO CETOP3 ISO CETOP5
DIN NG 6 DIN NG 10
NPPAD03 NPPAD05

6 DESIGN NO 設計編號

10:10 TYPE
20:20 TYPE

3 CONNECTING TYPE 連接型式

G:TYPE:BASEPLATE MOUNTING TYPE (板式連接)
T:TYPE:THREADING TYPE (Only for 20 type)
螺紋連接 (只生產20型)

7 MARK 標註

20 TYPE : NO Open 常開
NC Close 常閉

4 SPOOL TYPES 滑柱型式

Valve Type See Page 317
閥型式見 317 頁面

※The Function only for 20 Type
20 型方有此功能

F
DCG

CAM OPERATED DIRECTIONAL VALVES

DCG SERIES

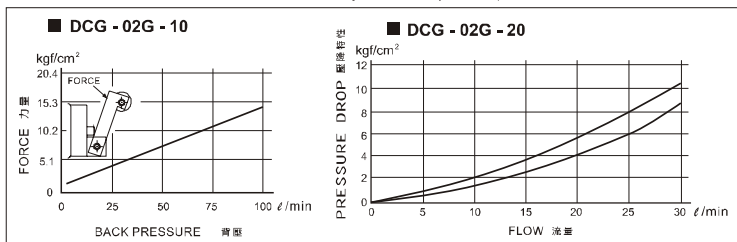
凸輪行程換向器

◆ DIRECTION OF OIL FLOW FOR ROLLER POSITION: 凸輪位置與流量、方向說明

MODEL 型式	SYMBOL 型號	ROLLER POSITION VS .FLOW (mm) 凸輪位置與流量 (mm)
DCG-2B2-02G-20-NO		
DCG-2B2-02G-20-NC		
DCG-2B2-02G-10		
DCG-2B2-03G-10		

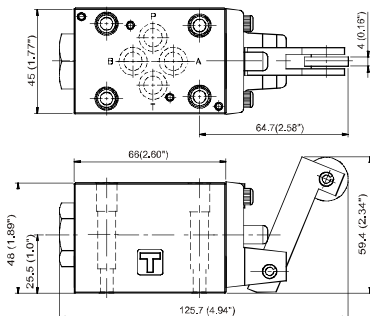
◆ PERFORMANCE 性能

Test Conditions 測試條件
Oil Temperature 油溫度: 50°C (122°F)
Viscosity 黏度: 35 cSt (163 SSU)



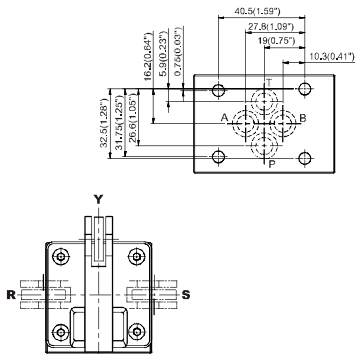
◆ DIMENSIONS 外型尺寸圖

DCG-***-02G-10



◆ Mounting Interface 基礎尺寸圖

ISO 4401-AB-03-4-A



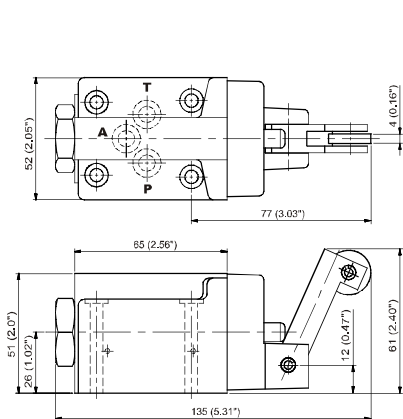
CAM OPERATED DIRECTIONAL VALVES

凸輪行程換向閥

DCG SERIES

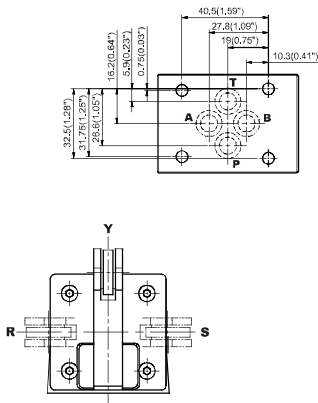
◆ DIMENSIONS 外型尺寸圖

DCG-***-02G-20



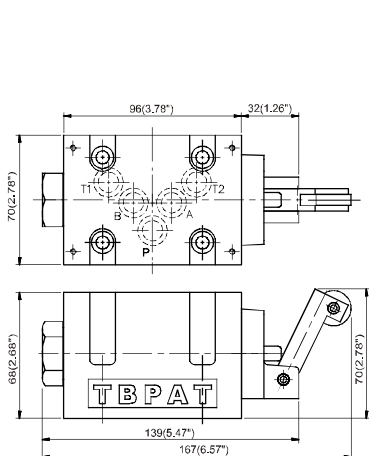
◆ Mounting Interface 基準尺寸圖

ISO 4401-AB-03-4-A



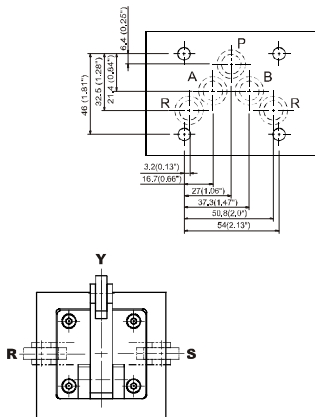
◆ DIMENSIONS 外型尺寸圖

DCG-***-03G-10



◆ Mounting Interface 基準尺寸圖

ISO 4401-AC-05-4-A



F
DCG