

SOLENOID OPERATED CHECK MODULAR VALVES

MLVS SERIES

積層型電磁止逆閥

◆ MODEL 型 式



◆ FEATURES

- Casting iron valve bodies are provide strength and durability for longer life.
- Internal hardened steel components also provide longer life.

- 特 點
- 閥本體鑄鐵強度與耐用性，壽命長。
- 內部硬鋼原件提高產量壽命。

◆ SPECIFICATIONS 規 格

Model Number 型 式 號 碼	Maximum Pressure bar 最大壓力	Maximum Flow 最大流量 lpm	Weight 重 量 Kg
MLVS-02-A,B	210 (3000 psi)	35 (9.24 gpm)	1.8 (3.97 lbs)
MLVS-02-W			2.5 (5.5 lbs)
Fluid Type 液體型 式		ISO VG 32 , 46 , 68	
Viscosity 黏 性 cSt		10~400 (59~1854 SSU)	
Operating Temperature 操作溫度 °C		-15~70 (-5~158 °F)	
Contamination Level 污染標準		ISO4406_21/19/16 NAS1638,10	
Surface Treatment 表面處理		Zinc Phosphate Compound 磷 磷酸鹽 化合物	

● All screws with metric measure , if require inch measure , please contact us.

所附螺絲皆為公制標準規格品，若需英制規格請另外備註說明。

◆ HOW TO ORDER 編 號 說 明

1	2	3	4	5
MLVS	02	W	A2	20

1 VALVE SERIES 系列名稱

MLVS=Solenoid Operated Check Modular Valves

2 SUBPLATE MOUNTING SIZE: 稱呼口徑

02 =1/4"(6mm)
ISO CETOP3
DIN NG 6
NFPA D03

3 CONTROL PORT(S) 動作形式

A=A Port Only



B=B Port Only



W=A & B Port



4 TYPE OF COIL 電磁閥電磁線圈類型

A1: 115VAC D1: 12 VDC
A2: 230VAC D2: 24 VDC

5 DESIGN NO 設計編號

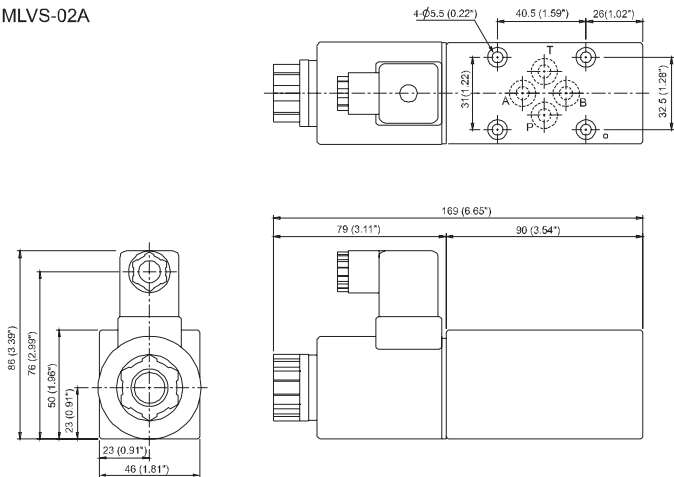
SOLENOID OPERATED CHECK MODULAR VALVES

精密型電磁止逆閥

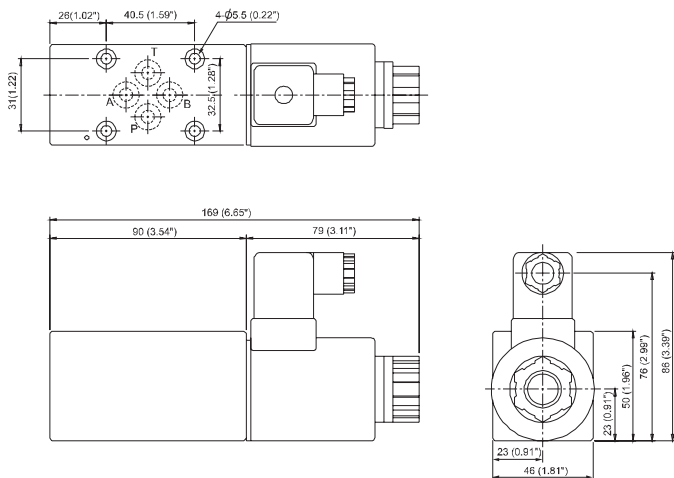
MLVS SERIES

◆ DIMENSIONS 外形尺寸圖

MLVS-02A



MLVS-02B



D
MLVS

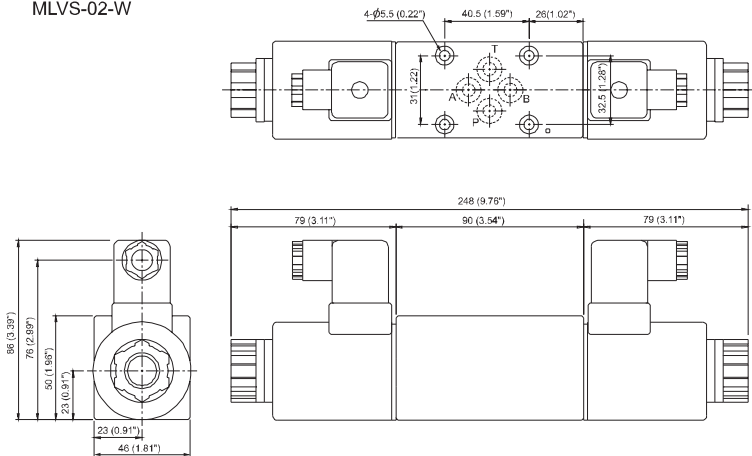
SOLENOID OPERATED CHECK MODULAR VALVES

MLVS SERIES

積層型電磁止逆閥

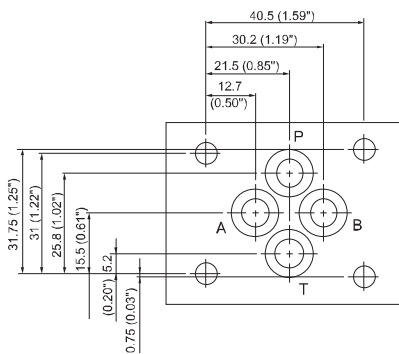
◆ DIMENSIONS 外型尺寸圖

MLVS-02-W



◆ Mounting Interface 基座尺寸圖

ISO 4401-AB-03-4-A



D
MLVS